

*GreenSmart™ Gas Fireplace Inserts*

**AVALON™**  
*Firestyles for Life*



## *Turn Your Avalon Fireplace Into An Efficient Heat Source*

Our GreenSmart™ fireplace inserts are designed to transform virtually any metal or masonry fireplace into an efficient source of heat. Traditional open fireplaces can have efficiency ratings up to 15% and can actually draw the heat out of your home for a net heat loss! Our gas inserts achieve efficiency ratings as high as 86% and may be used as a primary heat source in a mid-sized home.

## *Smarter Design*

Our variety of beautiful faces, choice of surround panels and the optional reversible brick fireback give your fireplace insert a custom appearance that not only updates the style of any room, but makes your fireplace look like it was designed that way from the beginning.

## *Zone Heat*

Unlike a gas furnace that ducts heat to all rooms of your home, you can use your insert for zonal heating and just heat the room(s) you are using. Our remote also helps you save by maintaining a constant desired temperature, rather than burning fuel when not needed.

# GREEN SMART™ *Technology*

The patent-pending GreenSmart™ System is the most innovative collection of components, controls and technology that when combined provide an elegant, smarter and greener way to heat your home. Innovative standard features include: accent lights, flame adjustments and a choice of pilot settings. Your Avalon gas fireplace insert comes standard with the GreenSmart remote. This remarkable controller allows you to run the fireplace in “Smart Thermostat Mode” that automatically adjusts the heat output based on the temperature setting you’ve chosen. That means the flame will modulate up/down as opposed to shutting off/on like normal thermostats. This conserves fuel and maximizes heating ability while extending the viewing pleasure of the fire.

## *Basic GreenSmart Control System*

Your Avalon dashboard housing the manual controls, is located under the front of the appliance. It houses three components and all but one, the pilot selection, can be operated by the remote:



**A.** Accent Light Manual Control - For brightness adjustment. Your remote control turns the accent light ON/OFF.

**B.** Two Position Pilot Selection: Push up for continuous pilot and down for GreenSmart Pilot.

**C.** Battery back-up for power outages (also manual ON/OFF if you misplace your remote).

All controls are clearly labeled with white silk-screened lettering for easy reading.

## *Drop Down Concealment Door*

The control valve and wires are hidden by our drop down concealment door to provide an elegant, finished appearance so your beautiful face is the focal point, not the controls. The concealment door conveniently opens and closes for easy access to the controls. if you decide to adjust the accent light or change your pilot setting.

## *Control Panel Lighting*

When the concealment door is opened, control panel lighting is automatically turned on to make controls on the dashboard easy to see even in a low light environment in your home.

# DVS and DVL GSR Fireplace Inserts

## Choice of Pilots - Continuous Pilot or GreenSmart Pilot:



This switch allows you to run your fireplace in either continuous pilot mode - where the pilot flame continually stays on, ideal during periods of extreme cold when maintaining a warm flue ensures reliable operation - or for maximum efficiency use the GreenSmart mode, where the pilot flame ignites via an intermittent pilot (IPI) spark that does not run continually and thus conserves energy when the fireplace is not being operated. The GreenSmart system includes an automatic battery back-up, ensuring proper ignition even during power outages.

## GreenSmart Fuel and Cost Savings:

**Example:** A standing pilot uses .552 therms of gas each day. The average therm of natural gas is \$1.10, or \$0.60 to run every day - no matter if the gas appliance is on or off. 365 days of standing pilot usage equates to 201 therms of gas or \$219. Propane can run up to three times this cost.

The GreenSmart System helps you save on both energy usage and your heating bill.

## Comfort Control™ Features:

With the push of a button on your standard remote the Comfort Control will turn off the rear burner while leaving the front burner on for an attractive flame appearance when less heat output is the priority. This feature along with the self-modulating front burner in GreenSmart thermostat mode delivers a turn-down ratio of up to 72 percent! It works with the Green-Smart split-flow burners, and offers a more efficient way to heat the room by only burning the correct amount of fuel to keep a constant temperature; so this is another smarter, greener way to enjoy fire in your home.

The innovative hand-held GreenSmart remote allows you the ease of controlling your GreenSmart insert from the comfort of your chair. The remote is designed to sit on a nearby coffee table or you can mount it on the wall with the included wall holster. On your GreenSmart remote first select your method of heat; manual control (A), standard thermostat setting (B) or the "SMART" thermostat setting (C). Once that's been selected you may adjust the fan setting, including on or off, turn on or off your accent light and turn on or off your back burner depending on the season and your heating needs.

## Standard Accent Light:

Add a back light to your gas insert to accent both the logs and the optional brick fireback. The accent light can be operated even when the fire is off to give the fireplace a warm glow all year long, or used as a nightlight.



*DVS - Straight Brick with Accent Light On*



*DVS - Herringbone Brick with Accent Light On*

## GreenSmart Remote Control Standard:

(A) In the manual setting you will manually adjust the flame height/heat output of the insert and manually turn the insert on and off.

(B) In standard thermostat mode you manually adjust the flame height/heat output of the insert to desired setting and then select the temperature setting you want to maintain in your room. The insert will then heat up to the set temperature you've selected, then cycle on and off to maintain this temperature.

(C) In the "SMART" thermostat setting your insert will automatically adjust your flame height/heat output based on the temperature you've selected. The flame will automatically modulate from low to high, or high to low to achieve and then maintain the set temperature. This feature conserves fuel and maintains a more consistent heat in your home while allowing you to enjoy the flame longer. The flame will only shut off if your set temperature is exceeded.



# DVS and DVL GSR Fireplace Inserts

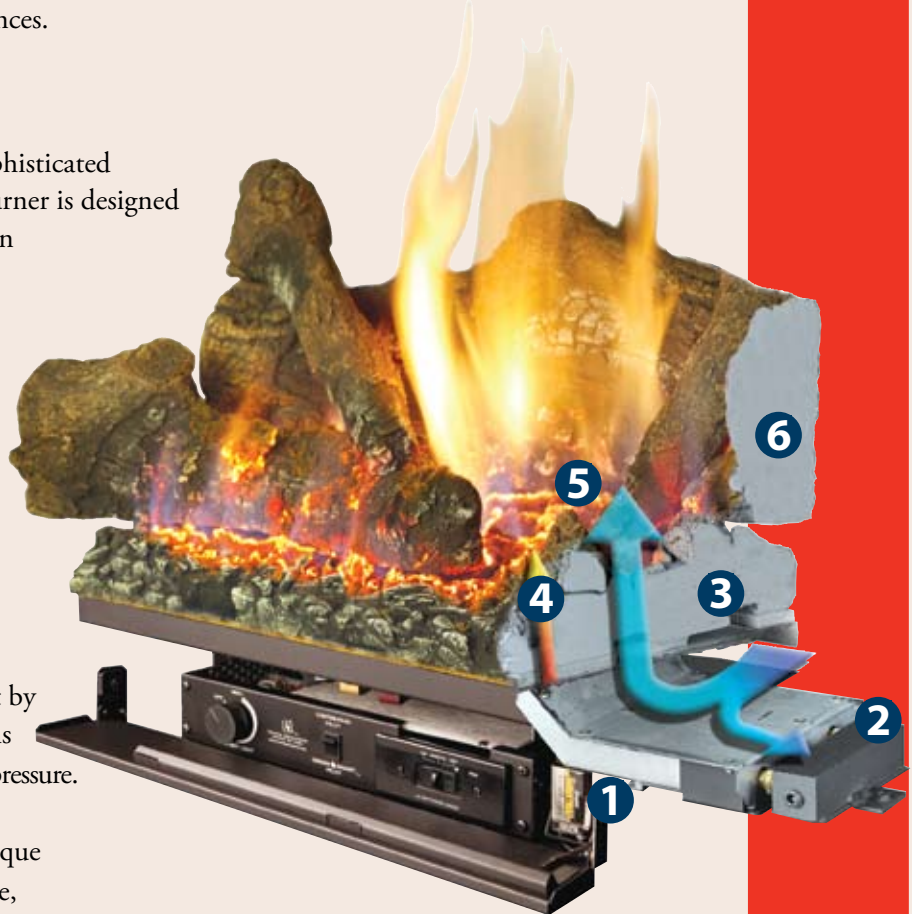
## Is It A Wood or Gas Fire?

### Patented Ember-Fyre™ Burner Technology

We feature the patented Ember-Fyre™ burner system in both the DVS and DVL GSR gas fireplace inserts. Popular Science® magazine awarded the prestigious “Best of What’s New” award to the Ember-Fyre as one of the year’s top achievements in Science and Technology. The combustion system delivers an efficiency up to 86%. There are no unsightly burner tubes or metal pans and the appearance of the fire and glowing embers are just as beautiful on the low flame setting as they are on high. The level of realism is so remarkable it is difficult to tell it apart from our wood burning appliances.

### How It Works

- 1** Natural gas or propane is piped to a sophisticated SIT™ GreenSmart gas valve. This gas burner is designed to provide reliable, continuous operation even if the power goes out in your home. If the power goes out it automatically switches to the built-in battery back-up and back to the house-hold circuit when the power comes back on.
- 2** The low-pressure gas flows to a precisely engineered burner orifice.
- 3** A hidden mixing tube mixes the gas with outside air. The standard mix is set by the installer to compensate for variations in altitude, fuel type, installation and line pressure.
- 4** The gas/air mixture flows through a unique array of burner ports in the ceramic base, where it ignites and burns.
- 5** As the Ember-Fyre burner heats to a deep red 1200° Fahrenheit, it mimics the look of glowing wood embers and charred logs. Dancing yellow flames further enhance the look and feel of a real wood fire.
- 6** The fire passes over the hand-carved logs that are so incredibly detailed, you’ll be amazed they are not wood.
- 7** For hands-free operation the standard GreenSmart remote control allows you to set and maintain the comfort level of your home.



# Gas Fireplace Inserts Face Designs

Avalon gas fireplace inserts are designed to turn your existing inefficient masonry or zero clearance (metal) fireplace into an economical and beautiful heat source. You'll still enjoy a gorgeous fire without losing the heat out your chimney!

You have a choice of two sizes to meet your heating needs and to fit your fireplace, Direct Vent Small (DVS GSR) and Direct Vent Large (DVL GSR) - See page 12. Our inserts feature designer faces for any decor and reversible brick firebacks in straight or herringbone brick patterns. Quiet blowers are standard in the DVS and DVL inserts and are designed to increase the heat transfer into your home.

*DVS Insert with the economy priced Universal Face/Panel.*



## Faces That Require Finish Panels: (See Page 13 for panel choices)



### Victorian Lace™

Black Painted Finish

DVS - 32" W x 22 1/2" H

DVL - 35 3/4" W x 27" H



### Cambridge™

Black Painted

DVS - 33 7/8" W x 21 1/2" H

DVL - 37 5/8" W x 25 7/8" H



### Rosario™

Black Painted

DVS - 32" W x 21 9/16" H

DVL - 35 3/4" W x 26" H

## Faces That Do Not Require Finish Panels

Bungalow and Tree of Life faces require backing plates  
(See Page 14 for choices)



### Universal Face

Black Painted Finish

Small DVS - 37 1/3" W x 23 1/8" H

Large DVS - 40 3/8" W x 29" H

Small DVL - 40" W x 27" H

Large DVL - 44" W x 33 1/2" H



### Bungalow™

#### Double Door

Charcoal Textured  
Powder Coated

DVS - 37 1/2" W x 23 1/8" H

DVL - 40 1/4" W x 27" H



### Tree of Life™

#### Double Door

Bronze Textured  
Powder Coated

DVS - 37 1/2" W x 23 1/8" H

DVL - 40 1/4" W x 27" H

# Rosario™ Face



*This DVS insert is shown with the optional brushed nickel finished door and brick fireback.*

Named for the classic resort in the San Juan Islands of Washington State, the Rosario™ gas insert face offers an elegant, flush fireplace insert that can convert almost any existing masonry or zero clearance fireplace into a beautiful, yet economical source of heat for your home. The contemporary look of the Avalon Rosario™ gas insert's clean, flush lines comes standard with black framed window. Upgrade the look of the Rosario face by adding bronze powder coated or with nickel plated glass frame options to make a beautiful heating statement for any home. Made from the highest quality materials and heavy gauge steel, the Rosario insert is designed for exceptional heat transfer.

## **OPTIONS**

- Bronze Powder Coated Door
- Brushed Nickel Plated Door
- Reversible Brick Fireback
- Wall Thermostat

*Powder Coated Bronze,  
Brushed Nickel,  
and Black Painted  
Glass Frame Options.*





*The DVL insert is shown with outside fit surround panels and optional brick fireback.*

The traditional look of the Avalon Cambridge™ gas insert face recalls a time when charm and function were the tradesman's mark. Made from solid castings which allow for exceptional heat transfer, the Cambridge features a mantle accented by fluted channels and a gently curving arch that frames a large fire viewing area. The classic lines and hand-carved details tell a story of craftsmanship and comfort – a gracious invitation to delight in the beauty and warmth of realistic wood-like flames leaping over brightly glowing embers.

## **OPTIONS**

- Reversible Brick Fireback • Wall Thermostat

# Victorian Lace™ Face



*The DVS insert is shown with black painted Victorian Lace face, optional brick fireback and 8" surround panels.*

Add a touch of class to your home. Beautiful, graceful and classic are words that come to mind when viewing the Victorian Lace™ fireplace insert face. This elegant look features intricate designed top and bottom convection grills. The Victorian Lace comes in black paint finish adds style to both traditional and contemporary homes. You also have the option to paint the Victorian Lace face in a wide variety of high temperature Stove Bright® colors. Ask your Avalon dealer to show you a color chart of available colors.

## **OPTIONS**

- Reversible Brick Fireback
- Wall Thermostat



*DVL fireplace insert shown with optional brick fireback and Bungalow double door on large backing plate with optional Accent Trim.*

The Mission-style Bungalow double door will give a beautiful new look to your living room, den or any room in your home when you update your fireplace with our insert. The Bungalow double door features a charcoal, textured powder coated finish that resembles burnished antique iron. The quadraliner post caps reflect the Mission era theme. The grills are a decorative basket weave pattern with hammered detail to enhance the three-dimensional woven pattern.

The Bungalow double door must be used with the Panel-less Face. This combination complements the clean lines of the double doors, allowing you to install your insert with a panel-less look. The Panel-less Face comes in two sizes and can be used with the existing rectangular panel system to cover larger areas. See page 14 for details.

## **OPTIONS**

- Reversible Brick Fireback • Wall Thermostat



*DVL fireplace insert shown with Tree of life Double Doors on the small backing plate and optional herringbone brick fireback.*

The Tree of Life™ double door face will give a beautiful new look to your living room, den or any room in your home when you update your fireplace with our insert. The Tree of Life double door features a stylized tree pattern in a bronze, textured powder coated finish that resembles burnished antique metal.

The Tree of Life double door must be used with Backing Plate instead of Panels. This combination complements the clean lines of the double doors, allowing you to install your insert with a pane-less look. The Backing Plate comes in two sizes and can be used with the existing rectangular panel system to cover larger areas. See page 14 for details.

## **OPTIONS**

- Reversible Brick Fireback • Wall Thermostat

# How To Choose the Right Insert

## STEP #1 -

### Identify the proper model for your fireplace and heating needs.

Our gas inserts are available in two sizes, the Direct Vent Small (DVS GSR) and the Direct Vent Large (DVL GSR). Use the sizing chart on page 13 to select the best insert for your needs. These inserts are designed for installation into masonry fireplaces, zero clearance (metal) fireplaces and are approved for use in mobile homes.

These gas inserts feature the patented Ember-Fyre™ burner, the most beautiful gas fire available.

## STEP #2 -

### Identify the surround panel size and style (see page 13 & 14).

To complete the look after the insert is installed in your fireplace, a set of panels may be attached to the insert to accommodate the size variance between the custom insert face and the size of your existing fireplace opening.

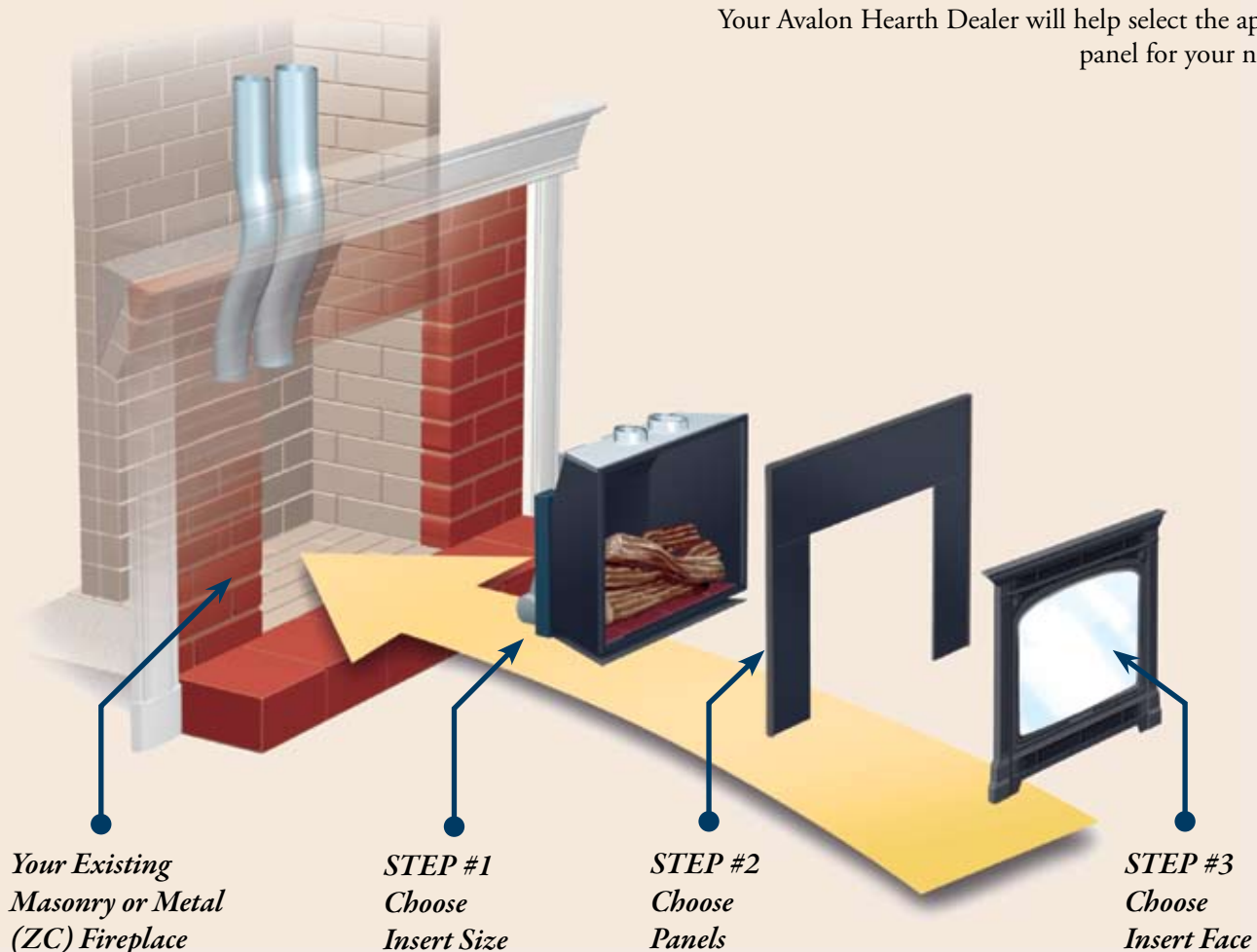
## STEP #3 -

### Choose the look that completes your home decor.

There are five custom fireplace faces available for the DVS GSR and DVL GSR inserts. We were inspired to offer a variety of five architectural designs with color options and interior choices to allow you to customize your gas insert. When you see and feel the warmth of an Avalon insert in person, it is apparent that the quality and craftsmanship are of the highest caliber.

Avalon offers panels in a variety of sizes.

Your Avalon Hearth Dealer will help select the appropriate panel for your new insert.



# Gas Fireplace Inserts Specification

## Fireplace Inserts

## DVS GSR

## DVL GSR

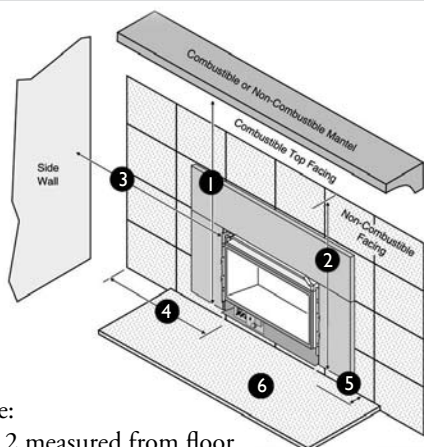
**Specifications** The dimensions and clearances on this page are for reference only. Refer to the Owner's Manual prior to installation.

Height	19-1/2"	23-3/4"
Width in Front	26-1/2"	31-1/2"
Width in Back	18"	20"
Depth	15-1/8"	14-1/2"
Flex Vent Diameter	3" Exhaust - 3" Air Intake	4" Exhaust - 3" Air Intake
Unit Weight	96 lbs.	106 lbs.
Burner System	Ember-Fyre™	Ember-Fyre™
Glass Area (will vary slightly with face design)	352.5 square inches	523 square inches
Convection Fans Standard	YES - 180 CFM	YES - 180 CFM

**Performance** \*Gas appliance performance can be affected by negative pressure in the home and by prevailing atmospheric conditions. Contact local building or fire officials about restrictions and installation requirements in your area.

Heating Capacity*	Up to 1,500 square feet	Up to 2,000 square feet
BTU Input (NG)	31,000 (high) - 10,700 (low)	40,000 (high) - 11,900 (low)
BTU Input (LP)	31,000 (high) - 12,600 (low)	40,000 (high) - 7,400 (low)
Overall Efficiency* (maximum vent configuration)	Up to 85% (NG)    Up to 85.5% (LP)	Up to 84% (NG)    Up to 86% (LP)
Overall Efficiency* (minimum vent configuration)	Up to 80% (NG)    Up To 80.5% (LP)	Up to 79.3% (NG)    Up to 81.2% (LP)

**Clearances To Combustibles** Installation information is available at your local Avalon dealer or online at [www.avalonfirestyles.com](http://www.avalonfirestyles.com)



Note:  
1 & 2 measured from floor.  
3 & 4 measured from side of unit.

1 = Floor to Mantle	35"*	1 = Floor to Mantle	35-1/2"*
2 = Floor to Top Facing	35"	2 = Floor to Top Facing	35-1/2"
3 = Insert to Sidewall	4-1/2"	3 = Insert to Sidewall	4"
4 = Insert to Side Facing	4-1/2"	4 = Insert to Side Facing	4"
5 = Extension onto Hearth	1-1/4"	5 = Extension onto Hearth	1-1/4"
6 = Hearth Not Required	0"	6 = Hearth Not Required	0"
* maximum 12" mantle depth		* maximum 12" mantle depth	

**Panel Sizes** Measurements for each panel is for maximum fireplace opening coverage - Panels not needed on Universal, Bungalow and Tree of Life Faces.

Rectangular 4" sides x 6" top	37-1/8" w x 25" h	40" w x 29" h
Rectangular 8" sides x 10" top	40-3/8" w x 28-7/8" h	44-3/16" w x 33-3/8" h
Rectangular 10" sides x 13" top (all can be trimmed for inside fit of fireplace opening)	44-3/8" w x 31-7/8" h	48-3/16" w x 36-3/8" h

## Testing & Installation Information

Tested and Certified by OMNI-Test Laboratories Inc. to ANSI Z21-88-2009, applicable sections of UL307b-1995

Note: Improper installation of your gas appliance or failure to operate it in accordance to the guidelines detailed in the Owner's Manual may negate your warranty and endanger your home and family. Installation information is available on our website at [www.avalonfirestyles.com](http://www.avalonfirestyles.com).

We recommend all Avalon appliances be installed and maintained on an annual basis by your Specialty Hearth Retailer.

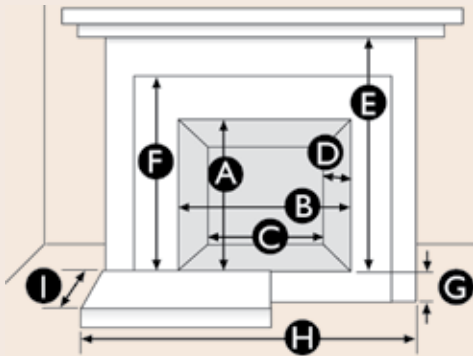
# Finishing Your Fireplace Insert

## Sizing Your Fireplace For An Insert

Before visiting your Avalon dealer, answer these helpful questions.

1. What purpose will the fireplace insert fill?
  - a) Zonal or Supplemental Heating
  - OR
  - b) Whole Home Heating
2. What room or rooms (determine square footage) will the insert be used to heat?
3. Do you have natural gas or propane and has it been piped to the fireplace?
4. Is the fireplace of Masonry or Zero Clearance (Metal) construction?

It would be helpful to jot down these basic measurements. Your hearth professional can assess your installation, and help select the correct fireplace insert for your heating needs.



### Your Fireplace Measurements

- A = Opening Height \_\_\_\_\_
- B = Width in Front \_\_\_\_\_
- C = Width in Back \_\_\_\_\_
- D = Depth of Fireplace \_\_\_\_\_
- E = Hearth to Mantle \_\_\_\_\_
- F = Hearth to Combustible Facing \_\_\_\_\_
- G = If the fireplace is raised above the hearth, what is the distance from the hearth to the fireplace opening? \_\_\_\_\_
- H = Width of Hearth \_\_\_\_\_
- I = Depth of Hearth \_\_\_\_\_

Insert panels are used to close off the opening of your fireplace when installing a gas insert. Avalon offers four choices of panels for the Rosario, Cambridge and Victorian Lace faces.

## Rectangular Panels

The Rectangular Panel System is available in three sizes and is the most versatile



DVS 4"x 6" - Covers 25" H x 37 1/8" W  
 DVS 8"x 10" - Covers 28 7/8" H x 40 3/8" W  
 DVS 10"x 13" - Covers 31 7/8" H x 44 3/8" W

DVL 4"x 6" - Covers 29" H x 40" W  
 DVL 8"x 10" - Covers 33 3/8" H x 44 3/16" W  
 DVL 10"x 13" - Covers 36 3/8" H x 48 3/16" W

## Inside-Fit Panels

You can modify (cut-down) the standard rectangular panels to fit the inside opening of your fireplace. This allows you to showcase your original fireplace finish and the fireplace face.



## Lower Zero Clearance Panel

Designed to be used with the Rectangular panel systems, this lower panel offers a finished appearance to your installation when the existing fireplace opening is elevated above the floor. This panel can be cut to size and will cover up to 7" below the insert.



Bottom Panel Only

# Double Door Backing Plates

The Bungalow and Tree of Life Double doors for the DVS and DVL gas inserts do not use the standard rectangular finish panels shown on page 13. Instead, these faces attach to backing plates that take the place of the panels. This gives the impression that there are no panels on the insert and gives you a true fireplace look. The Backing Plates come in two size to fit almost all fireplace opening. If you require the use of the large backing plate, a decorative Accent trim can be added to give a more finished double door look to your insert. If you require an even larger panel coverage area you can then add the large 10" x 13" panel sets to the Backing Plate. Backing Plates provide you the ability to install your ON/OFF Switch on the side for easy access.

## Small Backing Plate



*Tree of Life Double Doors*

DVL Gas Insert shown with the Small Backing Plate. Note how the double doors completely cover the backing plate and gives the impression of a true custom fireplace with out visible panels showing.

### Small Backing Plate Coverage

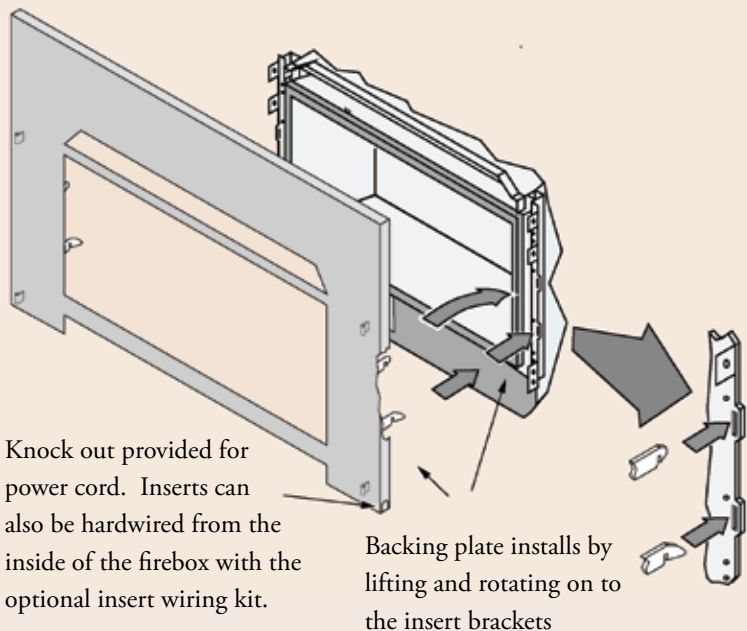
DVS - 23 1/8" H x 37 1/2" W

DVL - 27" H x 40 1/4" W

### Large Backing Plate Coverage

DVS - 29" H x 40 3/8" W

DVL - 33 1/2" H x 44" W



## Large Backing Plate



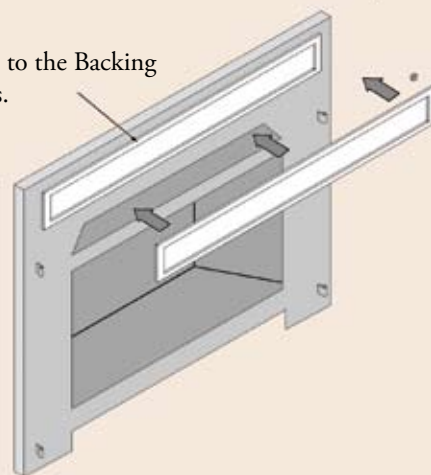
*Bungalow Double Doors and Optional Bungalow Accent Plate*

DVS Gas Insert with the Large Backing Plate. Note how the double doors only partially cover the backing plate. An optional matching Accent Plate is available to finish the panel area above the door.

## Optional Accent Trim Plate - For Large Backing Plates Only

Accent Trim is available to match the powder coated Bungalow and Tree of Life double doors. The Accent Plate fills in the area above the double doors and gives the impression of a completely finished door/face without any panel showing.

Accent Trim attached to the Backing Plate with six magnets.



# Gas Fireplace Inserts Options

## ***REVERSIBLE FIREBRICK LINER***

All gas inserts feature the option of adding a realistic ceramic brick fireback that looks like real masonry brick. The firebacks are reversible and offer you the choice of common straight or herringbone brick patterns or mix them up.



*DVL Side One - Common Straight Brick*



*DVL Side Two - Herringbone Brick*

## ***WALL THERMOSTAT***

The wall thermostat provides the ability to set the desired temperature that you would like for the room. The fireplace will cycle on and off to maintain your set temperature. The wall thermostat can be wired up to 25 feet away from the appliance and allows for easy hands-free convenience.



## ***INSERT WIRING KIT***

Normal installation requires a power cord for the accent light and standard convection fan to run out from the bottom of the finish panel to a wall outlet. If you do not want the fan power cord running across your hearth, consider using the optional Fan Wiring Kit.

This kit allows you to hardwire the fan's electrical connection within your existing fireplace. Ask your Avalon dealer for details.

*All Avalon firestyles are proudly made in the U.S.A.*



*Wood Burning Catalog*



*Gas Fireplace Catalog*



*Pellet Burning Catalog*



*Electric Fireplace Catalog*

## *Avalon Wood, Gas, Pellet & Electric Products*

With the Avalon product line all the elements come together: architectural styling, innovative technology and dedicated craftsmanship, offering you a dream-fulfilling heating solution for every part of your house. Avalon manufactures steel and cast iron wood burning products, an extensive gas fireplace line, a pellet stove and insert line and electric fireplaces. We hope our products will bring enjoyment, warmth and many pleasant hours spent in front of an Avalon of your choice.

Avalon Dealers are chosen to present our products because of their commitment to you, the customer. They are trained to provide the best possible sales experience, assist you in selecting the right hearth appliance and provide proper installation to ensure flawless operation. They are truly your local hearth product specialists.



[www.avalonfirestyles.com](http://www.avalonfirestyles.com)

*See the wide range of Avalon products at:*

