

**hwam**  
intelligent heat

HWAM represents pure design, uncomplicated and without superfluous ornamentation. The Scandinavian tradition - cultivated to the level of the sublime. A design to surprise - with and without the flames.

But HWAM means much more than just heat from an unusually beautiful piece of furniture. It also means sophisticated wood-burning stoves featuring ground breaking technology and superior finish down to the very last detail.

The stoves from HWAM are designed by leading Scandinavian architects and designers, complemented by our expertise, experience, and patented technologies to form a perfect harmony between design and functionality.

The warmth of a HWAM stove is kind and soft - and furthermore, it is easy to control. It is simple to adjust up and down, just like a heater. Elegant and simple. And when the fire no longer warms up your home, a wood-burning stove from HWAM stands out as an elegant piece of furniture in its own right.



*Scandinavian design*  
- pure and uncomplicated



Distributed by:  
**Evolution Trade Group, LLC**  
1000 Rand Road Suite 111  
Wauconda, IL 60084  
866-629-2526

**hwam**  
HEAT DESIGN  
DK-8362 Hørning  
heatdesign@hwam.com  
www.hwam.com

# Dali

Tall, slender stove with a unique personality. The consistent design lines will match any room décor - ranging from the modern to the classic.

Dali is a high-performing stove with convection technology and extended smoke duct which increases the efficiency level. Highly functional stove with stylish rounded edges and HWAM's efficient air wash system which prevents the glass from sooting up.

Design:  
Architect Anders C. FASTERHOLDT

# Monet

A slightly circular, appealing design, whose extremely curved front displays the flames in an optimum way. Quite simply a beautiful sculpture and highly functional stove combined.

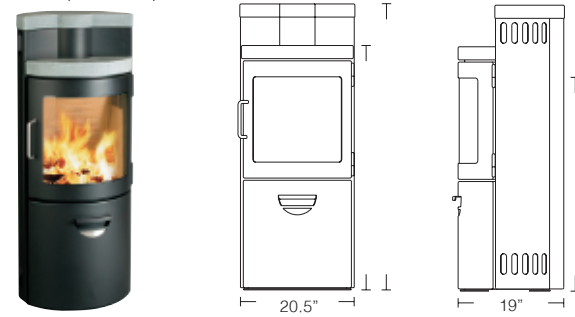
The curved panoramic glass front and the spacious countersunk combustion chamber are placed at a convenient height, making the stove easy to operate and light up. The stove is designed with a practical container which is simply removed to clear the ashtray, rounded edges ideal for families with children, HWAM's air wash system which prevents the glass pane from sooting up, large convection ducts and very simple operation.

Design:  
Architect Anders C. FASTERHOLDT

HWAM

## Dali

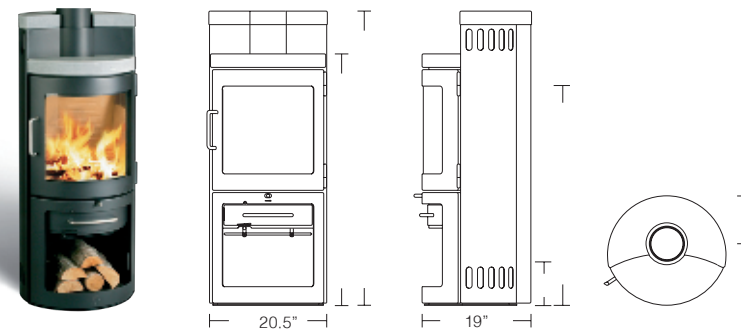
with soapstone top and drawer



HWAM

## Dali

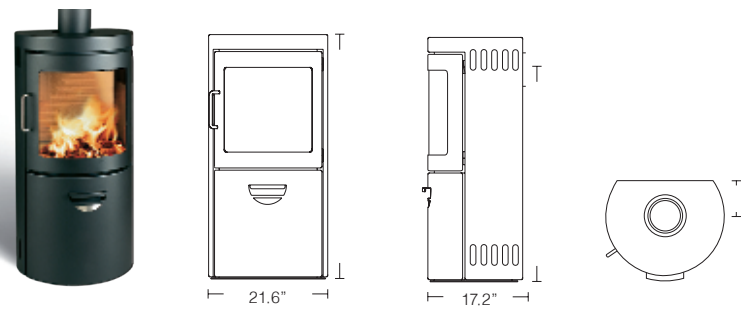
with soapstone top and wood section



HWAM

## Monet

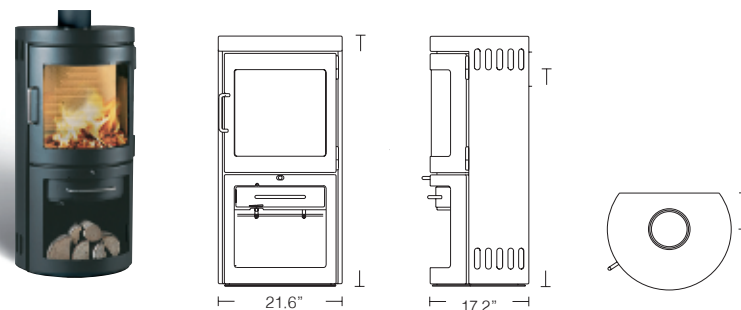
with drawer



HWAM

## Monet

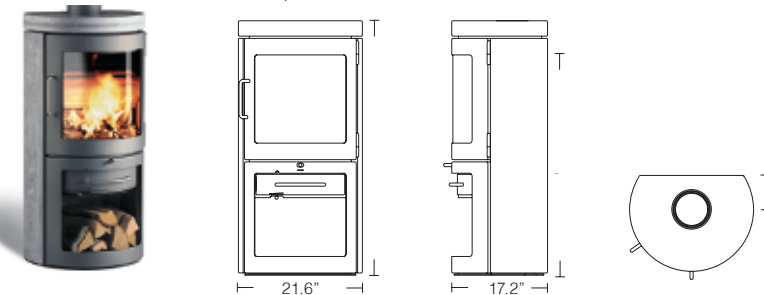
with wood section



HWAM

## Monet

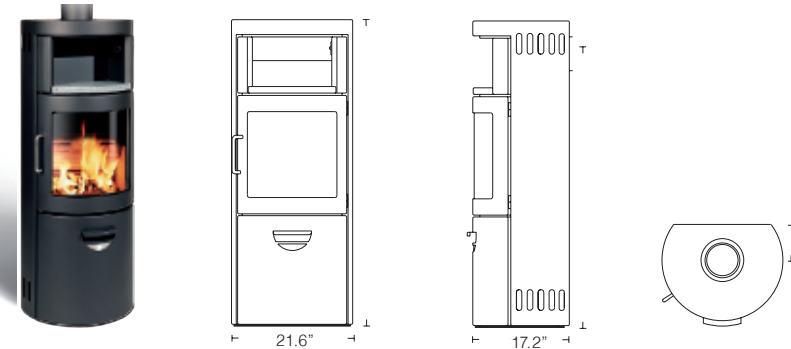
with wood section, drawer and soapstone



HWAM

## Monet H

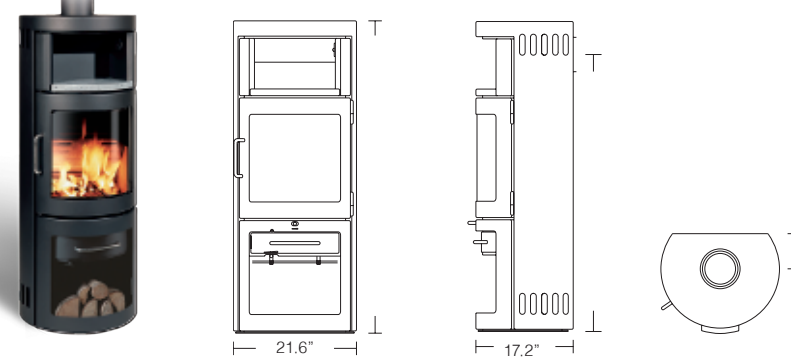
with drawer



HWAM

## Monet H

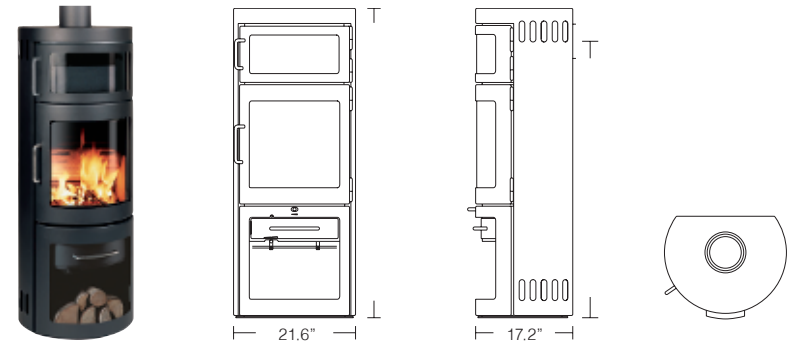
with wood section



HWAM

## Monet H

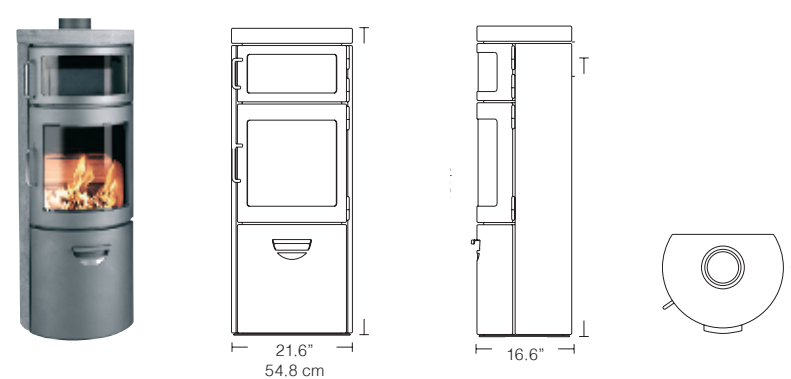
with drawer/wood section and baking section



HWAM

## Monet H

with drawer/wood section, soapstone and baking section



# Dali

### Technical specifications - Dali

Capacity .....	10.200 - 27.300 btu / 3 - 8 kW
Nominal heat output .....	20.500 btu / 6 kW
Smoke outlet .....	6" / Ø150 mm
Heating capacity (2,4 m. ceiling height) .....	323-1614 sq ft / 30-150m <sup>2</sup>
Weight .....	344 lb / 156 kg
Chimney draught, recommended .....	12 Pa
Connection from floor .....	37.1" / 94.1 cm
Color options .....	black or grey
EPA .....	3.4 g/h

### Approvals

Approved accordingly **UL 1482** and **ULC-S627** regulations including state Washington.

### Options

- Top flue outlet
- Rear flue outlet
- Drawer
- Wood section
- Fresh air system
- Soapstone top, top outlet
- Soapstone top, back outlet

# Monet

### Technical specifications- Monet

Capacity .....	10.200 - 27.300 btu / 3 - 8 kW
Nominal heat output .....	20.500 btu / 6 kW
Smoke outlet .....	6" / Ø150 mm
Heating capacity (2,4 m. ceiling height) .....	323-1614 sq ft / 30-150m <sup>2</sup>
Weight with drawer .....	331 lb / 150 kg
Weight with soapstone .....	547 lb / 248 kg
Weight with wood section .....	324 lb / 147 kg
Weight with wood section and soapstone .....	540 lb / 245 kg
Chimney draught, recommended. ....	12 Pa
Connection from floor .....	38.49 in / 97.7 cm
Color options .....	black or grey
EPA .....	3.4 g/h

### Approvals

Approved accordingly **UL 1482** and **ULC-S627** regulations including state Washington.

### Options

- Top flue outlet
- Rear flue outlet
- Drawer
- Wood section
- Fresh air system
- Soapstone cover
- Soapstone top, top outlet
- Soapstone top, back outlet



All stoves from HWAM have the patented automatic system. It ensures an optimal combustion, because the air is automatically regulated.