



PREMIER GRILLS & ACCESSORIES







## BUILT-IN PREMIER GRILLS

### Standard Grill Features:

- LED Control Panel Lights
- Direct Heat & Ceramic Radiant Grilling System
- 18 Gauge Stainless Steel U-Burners
- Interior Halogen Light(s)
- Welded Construction
- Mirror Polished Accents
- Double Lined Hood
- Temperature Gauge
- 9V Electronic Ignition
- Warming / Cooking Rack



**DHBQ38R-B**  
**DHBQ38RS-B**

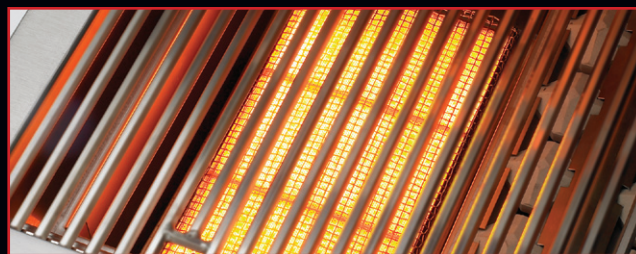
**38" OUTDOOR GAS GRILL** *with IR Rotisserie*  
**38" OUTDOOR GAS GRILL** *with Sear Zone and IR Rotisserie*

- Three 18 gauge stainless steel U-burners
- Integrated infrared rotisserie burner
- Two position rotisserie with heavy duty stainless steel motor (40 lb. capacity)
- 625 sq. in. grilling space
- 210 sq. in. warming rack



## Delta Heat grills and accessories

add convenience and performance to your outdoor kitchen, while enhancing the experience of your backyard gatherings. Elegance and unmistakable quality will ensure years of enjoyment for you, your family and friends.



## Sear Zone

Intense direct heat will sear your meats faster and deeper to seal in more juices. More juices means moist, more flavorful food. All 32" and 38" grills are available with or without a Sear Zone. A kit (sold separately) is available for the 26" grill (Kit Model: DHSZ-KIT-B).



## Rotisserie

An integrated rotisserie with infrared (IR) back burner is standard on 38" grills. 32" grills are available with or without an integrated rotisserie. 26" grills are non-rotisserie only. A rotisserie kit (sold separately) is available for all non-rotisserie grills (Kit model: DHRS-KIT).



**DHBQ32R-B** | 32" OUTDOOR GAS GRILL *with IR Rotisserie*  
**DHBQ32RS-B** | 32" OUTDOOR GAS GRILL *with Sear Zone and IR Rotisserie*

- Three 18 gauge stainless steel U-burners
- Integrated infrared rotisserie burner
- Two position rotisserie with heavy duty stainless steel motor (40 lb. capacity)
- 525 sq. in. grilling space
- 174 sq. in. warming rack

*Non-rotisserie model available (model: **DHBQ32G-B**)*

**DHBQ26G-B** | 26" OUTDOOR GAS GRILL

- Two 18 gauge stainless steel U-burners
- 420 sq. in. grilling space
- 139 sq. in. warming rack
- Optional sear zone kit (Model DHSZ-KIT-B)

*Optional rotisserie kit sold separately  
(Kit model: DHRS-KIT)*



## OUTDOOR ACCESSORIES



### DHSB1D-B | SINGLE SIDE BURNER, DROP-IN

- Drop-in model
- Stainless steel construction
- 16,000 BTU sealed burner
- Battery powered electronic ignition
- Stainless steel top cover



### DHSB2-B | DOUBLE SIDE BURNER

- LED control panel lights
- Stainless steel construction
- Two 16,000 BTU sealed burners
- 9V electronic ignition
- Stainless steel top cover

## ACCESS DOORS & STORAGE DRAWERS



(DHAD22R-C shown)



(DHAD18L-C shown)



(DHAD32-C shown)

### DHAD22(L/R)-C | ACCESS DOOR

- Horizontal orientation (22" x 16 1/4")
- Stainless steel construction
- One-piece 18 gauge frame
- Adjustable European hinges
- Available left or right hinged (must specify)

### DHAD-C | SINGLE ACCESS DOOR

- Stainless steel construction
- One-piece 18 gauge frame
- Adjustable European hinges
- Available left or right hinged (must specify)

Three sizes available:

**DHAD16(L/R)-C** 16" Wide Access Door  
(Note: DHAD16(L/R)-C is 22 1/4" High)

**DHAD18(L/R)-C** 18" Wide Access Door  
**DHAD24(L/R)-C** 24" Wide Access Door

### DHAD-C | DOUBLE ACCESS DOORS

- Stainless steel construction
- Adjustable European hinges
- One-piece 18 gauge frame

Six sizes available:

**DHAD26-C** 26" Wide Double Access Doors  
**DHAD30-C** 30" Wide Double Access Doors  
**DHAD32-C** 32" Wide Double Access Doors  
**DHAD36-C** 36" Wide Double Access Doors  
**DHAD38-C** 38" Wide Double Access Doors  
**DHAD42-C** 42" Wide Double Access Doors





**DHTD18-B** | TRASH / LP TANK DRAWER

- Full extension heavy duty drawer slides
- Stainless steel construction
- One-piece 18 gauge frame
- Adjustable brackets to fit a standard size trash container or LP tank (*Trash container and LP tank not included*)



**DHTD18T-B** | TALL TRASH DRAWER

- Full extension heavy duty drawer slides
- Stainless steel construction
- One-piece 18 gauge frame
- Holds larger capacity trash container (container included)
- Full pull out drawer for increased stability



**DHTC** | TRASH CHUTE

- Removable sliding cutting board
- Angled side wall directs waste toward container below
- Stainless steel cover included
- Aligns over the built-in trash drawer (*Trash drawer sold separately*)



**DHSD132-B** | 13" DOUBLE STORAGE DRAWERS

- Stainless steel construction
- One-piece 18 gauge frame
- Full extension heavy duty drawer slides
- Two (2) extended depth drawers



**DHSD133-B** | 13" TRIPLE STORAGE DRAWERS

- Stainless steel construction
- One-piece 18 gauge frame
- Full extension heavy duty drawer slides
- Three (3) extended depth drawers



(DHDD302-B shown)

**DHDD-B** | DOOR / TWO OR THREE DRAWER COMBO

- Stainless steel construction
- One-piece 18 gauge frame
- Adjustable European hinges
- Full extension heavy duty drawer slides
- Two (2) or three (3) extended depth drawers

*Four models available:*

- DHDD302-B** 30" Wide Door & Two (2) Drawer Combo
- DHDD303-B** 30" Wide Door & Three (3) Drawer Combo
- DHDD362-B** 36" Wide Door & Two (2) Drawer Combo
- DHDD363-B** 36" Wide Door & Three (3) Drawer Combo





## DHOR20 | 20" OUTDOOR REFRIGERATOR

- Stainless steel exterior
- Reversible door (left or right hinged)
- Locking door
- UL approved for outdoor use
- Front venting for under counter installation
- 4.1 cubic feet of storage space
- Three adjustable wire shelves
- Drink can holder plus 3 shelves in the door
- Adjustable leveling legs
- 110 volts / 115 watts

*Note: Unit is sourced from a leading refrigeration company outside the USA*



## DHOC15D | 15" DROP-IN COOLER

- Seamless welded construction
- Insulated lid with gasket seal
- 20" depth for increased capacity
- Brass drain with plug
- Heavy duty hinges
- Removable lid



## DHCD30-B | 30" COOLER DRAWER

- Full extension heavy duty drawer slides
- Stainless steel construction
- Can accommodate up to a 50 quart cooler without casters
- Maximum cooler dimensions are: 13.5"H x 25"W x 14"D (Cooler not included)



## DHOS15 | 15" DROP-IN SINK

- Seamless welded construction
- Large basin accommodates oversized items
- 2-inch stainless steel basket drain
- Includes cold faucet



## DHPT15-B | 15" PAPER TOWEL HOLDER

- Stainless steel construction
- One-piece 18 gauge frame
- Swing down paper towel compartment
- Holds a standard size paper towel roll



## VCBQ | VINYL COVERS

- Available for all built-in and freestanding grill models
- Features durable vinyl to protect the stainless steel finish





## FREESTANDING PREMIER GRILLS

A Delta Heat Premier Grill on a base brings a touch of outdoor lifestyle to any patio or deck. These grill bases are designed with utility and longevity in mind. Make the most of your outdoor space with one of these three models.

### Grill Base Features:

- Four heavy duty casters (two locking)
- Two stationary side shelves with integrated utensil hooks
- Grill head & access doors can be removed for built-in application (38" & 32" grill bases)
- Front access doors (38" & 32" grill bases)
- Rear LP tank loading (26" pedestal base only)



**DHGB38-B** 38" GRILL BASE



**DHGB32-B** 32" GRILL BASE



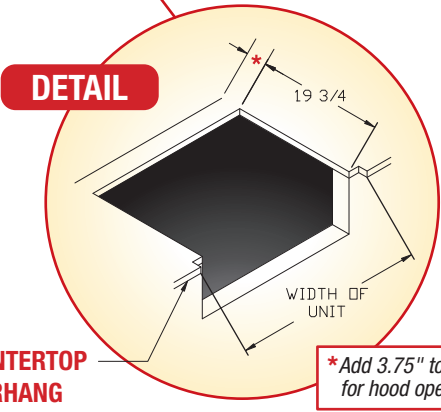
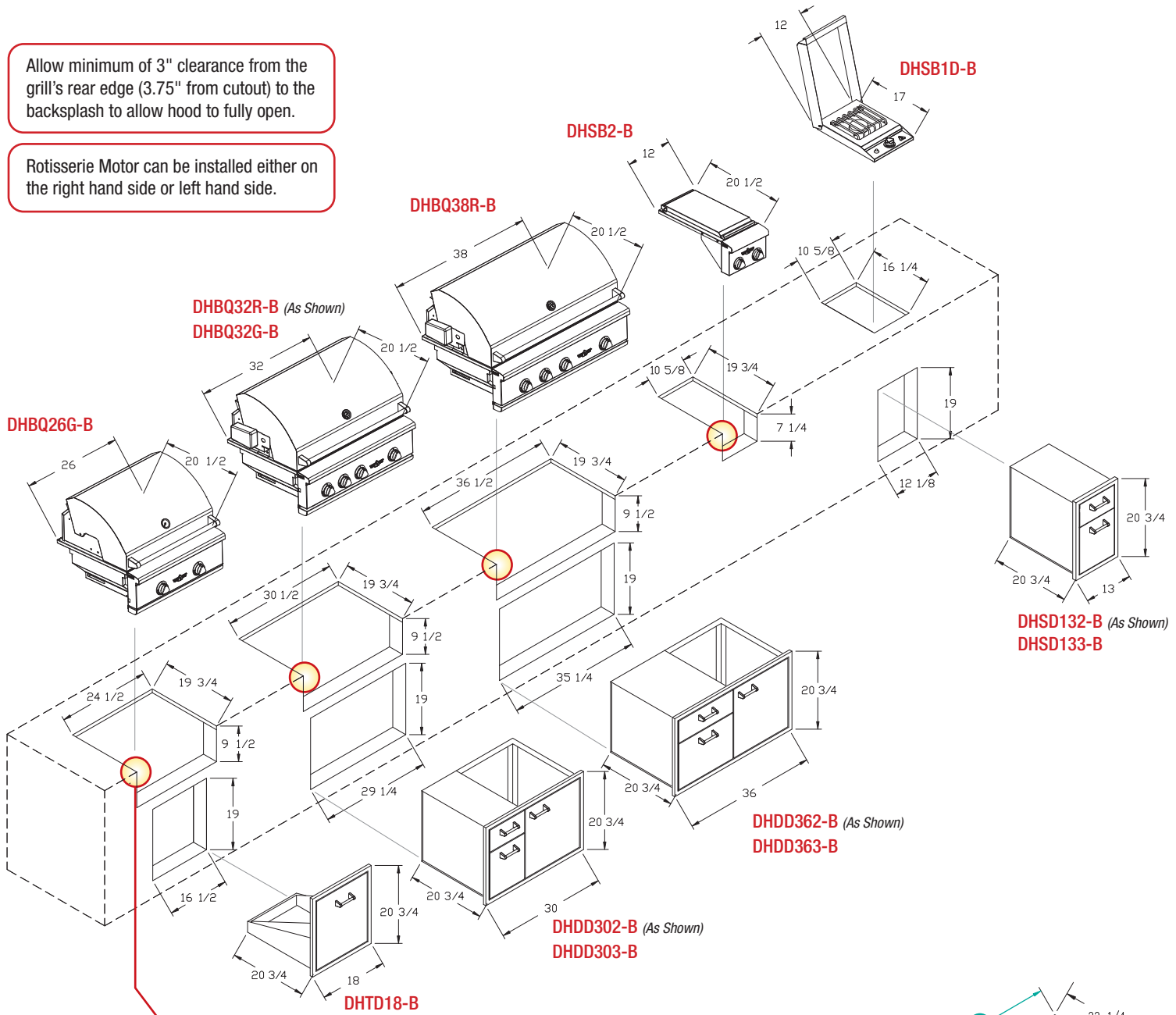
**DHPB26-B** 26" GRILL BASE



# CUTOUT DIMENSIONS

Allow minimum of 3" clearance from the grill's rear edge (3.75" from cutout) to the backsplash to allow hood to fully open.

Rotisserie Motor can be installed either on the right hand side or left hand side.



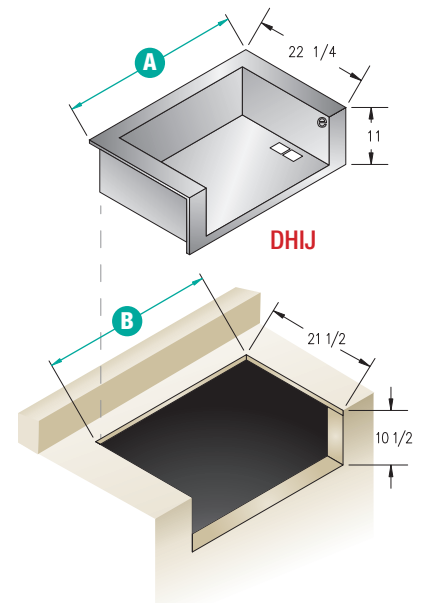
## COUNTERTOP OVERHANG

Note: Required to ensure a flush fit of all grills and the double side burner.

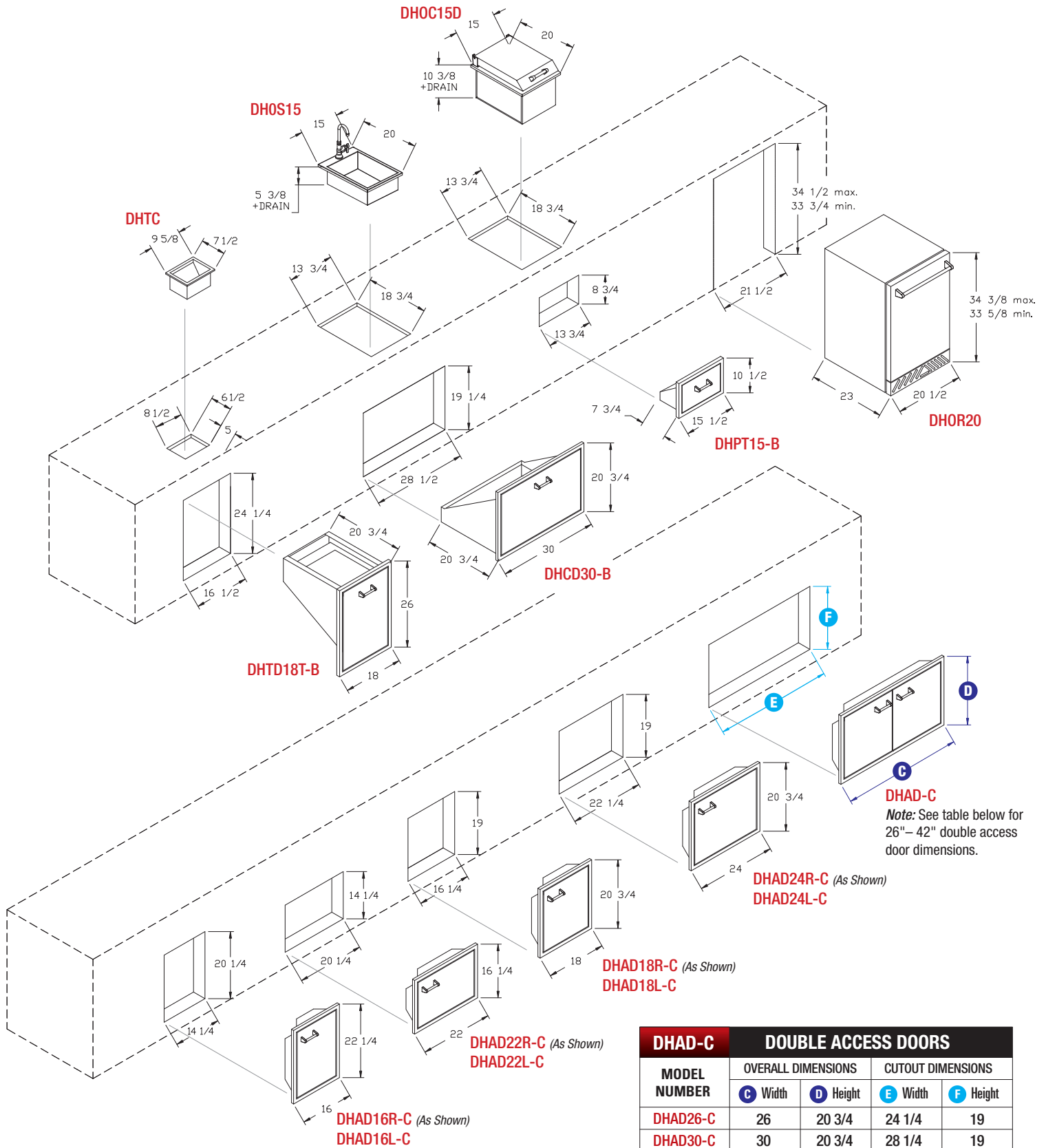
## INSULATING JACKETS

- Stainless steel construction
- Polished stainless steel trim
- For installation in combustible construction

MODEL	A	B
<b>DHIJ26</b>	30 7/8	29
<b>DHIJ32</b>	36 7/8	35
<b>DHIJ38</b>	42 7/8	41







MODEL NUMBER	OVERALL DIMENSIONS		CUTOUT DIMENSIONS	
	C Width	D Height	E Width	F Height
<b>DHAD26-C</b>	26	20 3/4	24 1/4	19
<b>DHAD30-C</b>	30	20 3/4	28 1/4	19
<b>DHAD32-C</b>	32	20 3/4	30 1/4	19
<b>DHAD36-C</b>	36	20 3/4	34 1/4	19
<b>DHAD38-C</b>	38	20 3/4	36 1/4	19
<b>DHAD42-C</b>	42	20 3/4	40 1/4	19

(Effective: January 2014)

For the constant advancement of our products, Delta Heat® reserves the right to change the specifications, designs, and materials of the products without prior notification.





Delta Heat products are engineered, designed and manufactured by the industry leading premium grill and outdoor kitchen equipment experts – Twin Eagles, Inc.

Creative design, innovative engineering, precision manufacturing, and impeccable quality control – all under one roof!

Twin Eagles develops, from design prototyping to testing to final production, gas grills and outdoor kitchen accessories at their state-of-the-art company owned facility in Cerritos, California. The Twin Eagles family consists of passionate, highly trained designers, engineers and skilled craftsmen.



*Designed and manufactured by*



**DELTA HEAT®**

13259 East 166th Street, Cerritos, CA 90703

**(800) 422-0091**

**[www.deltaheat.com](http://www.deltaheat.com)**

© 2014 Delta Heat. All rights reserved. P/N 18619B 01/14  
For the constant advancement of our products, Delta Heat® reserves the right to change the specifications, designs, and materials of the products without prior notification.



**MADE IN THE U.S.A.**